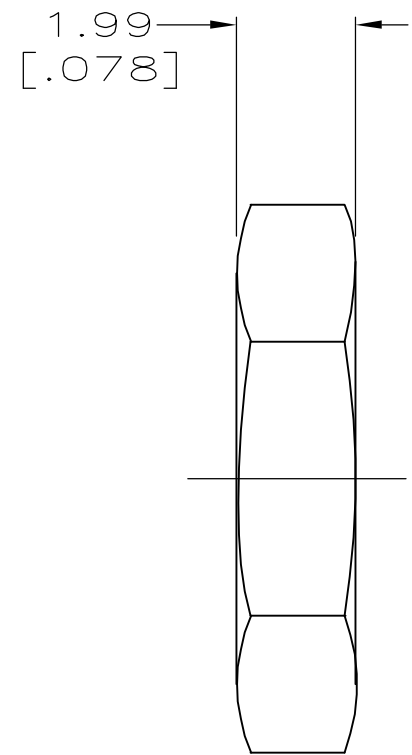
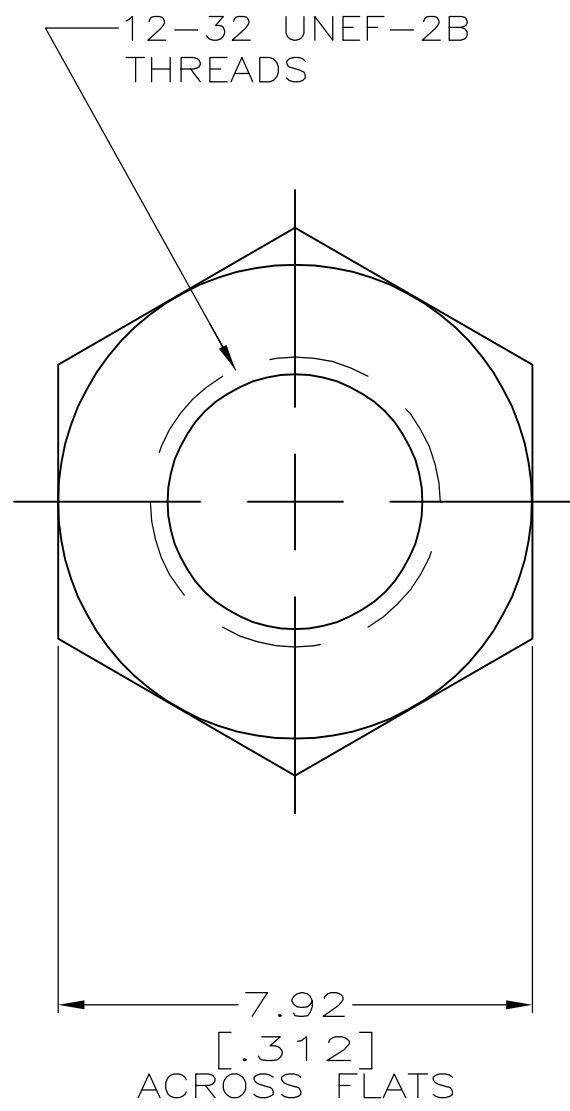


THIS DRAWING IS UNPUBLISHED. RELEASED FOR PUBLICATION
 © COPYRIGHT BY TYCO ELECTRONICS CORPORATION. ALL RIGHTS RESERVED.

LOC	DIST	REVISIONS					
AJ	16	P	LTR	DESCRIPTION	DATE	DWN	APVD
			D	REV PER ECO-06-003170	10MAR06	PY	WM

- ① BRASS PER QQ-B-626.
- ② STAINLESS STEEL PER ASTM-A-582.
- ③ SILVER PLATE PER QQ-S-365.
- ④ GOLD PLATE PER MIL-G-45204.
- ⑤ PASIVATION PER QQ-P-35.
- ⑥ SPECIAL PACKAGING; PACKAGED 250 PIECES PER BAG.



⑥	③	①	5-328690-0
	④	②	1-328690-5
	⑤	②	1-328690-3
	④	②	1-328690-2
	③	①	329680
	FINISH	MATERIAL	PART NUMBER

THIS DRAWING IS A CONTROLLED DOCUMENT.		DWN B. MOYER 26MAR97	Tyco Electronics Corporation Harrisburg, Pa 17105-3608	
DIMENSIONS: mm		CHK J. CABARLO 26MAR97		
TOLERANCES UNLESS OTHERWISE SPECIFIED:		APVD J. CABARLO 26MAR97	NAME JAM NUT, MINIATURE THREADED SERIES	
0 PLC ± - 1 PLC ± - 2 PLC ± 0.38 [.015] 3 PLC ± - 4 PLC ± - ANGLES ± -		PRODUCT SPEC -		
MATERIAL ① - ②		FINISH ③ ④ - ⑤	APPLICATION SPEC -	RESTRICTED TO -
-		WEIGHT -	SIZE A3	CAGE CODE 00779
-		CUSTOMER DRAWING	DRAWING NO G-328690	SCALE 8:1
-			SHEET 1 OF 1	REV D